



North American
ADHESIVES®

NA 1740

Waterproof Coating

Waterproofing and Crack-Isolation Membrane



PRODUCT DESCRIPTION

NA 1740 Waterproof Coating is a premixed, fast-drying, liquid-applied waterproofing and crack-isolation membrane for installation under ceramic tile or stone in residential, commercial and industrial environments. *NA 1740 Waterproof Coating* provides a thin, continuous barrier to protect adjacent rooms and floors below from water damage. *NA 1740 Waterproof Coating* can be applied with a roller or brush and is ready to receive tile or stone after 60 to 90 minutes of drying time.

When using *NA 1740 Waterproof Coating*, ceramic tile or stone can be installed with any North American Adhesives (NAA) polymer-modified or epoxy mortar. For common problem areas like coves, corners, cracks and drains, *NA 1740 Waterproof Coating* can be combined with optional *NA 1750 Waterproof Coating Fabric* to provide additional protection. *NA 1740 Waterproof Coating* can be flood-tested after 12 hours of drying time, and exceeds ANSI A118.10 and ANSI A118.12 standards. *NA 1740 Waterproof Coating* has no odor and is great for use in confined spaces.

USES

- For residential and commercial interior/exterior floors, walls and ceilings; industrial interior floors and walls
- For tub and shower surrounds — bathrooms; kitchens; food prep, dishwashing and cafeteria areas; countertops; and laundry rooms
- For residential and commercial submerged applications — freshwater pools, fountains and water features (completely covered by ceramic tile)
- For cantilevered balconies and decks over unoccupied space (see the “Limitations” section)
- For balconies and decks over occupied space when used in conjunction with a primary waterproofing membrane
- For steam rooms when used in conjunction with a vapor barrier (refer to TCNA Handbook sections SR613 and SR614 or TTMAC 321SR)
- For in-plane crack isolation up to 1/8" (3 mm) over nonstructural cracks

NA 1750 Waterproof Coating Fabric is available but optional for use on coves, corners and field application.

SUBSTRATE REQUIREMENTS

- All recommended substrates must be structurally sound, stable, clean and free of any substance preventing adhesion.
- Do not use chemicals (acid etching or stripping) to prepare approved substrates.

- Concrete substrates should have a concrete surface profile #2 per International Concrete Repair Institute (ICRI).
- Mechanically clean and profile by diamond-cup grinding or other engineer-approved method when necessary.
- Substrate and room temperatures must be 45°F to 95°F (7°C to 35°C) during and at least 24 hours after application.

Tile Council of North America (TCNA) Statement on Deflection Criteria

Floor systems, whether wood framed or concrete, over which the tile will be installed using the appropriate TCNA method, according to the Floor Tiling Installation Guide, shall be in conformance with the International Residential Code (IRC) for residential applications, the International Building Code (IBC) for commercial applications, or applicable building codes.

The owner should communicate in writing to the project design professional and general contractor the intended uses of the tile installation, including in-service loads or information to allow a project design professional to calculate such.

The tile contractor shall not be responsible for problems resulting from any structural subfloor installation not compliant with applicable building codes, unless structural subfloor was designed and installed by tile contractor, nor for problems from overloading. Please reference the most current version of the TCNA Handbook for more complete substrate requirements. Please reference the most current version of the TCNA Handbook for more complete substrate requirements.

SUITABLE SUBSTRATES

Interior and exterior

- Fully cured concrete at least 28 days old (see “Limitations”)
- Masonry walls of cement block or brick
- Cured cement mortar beds or leveling coats
- Cement backer units (CBUs)

Interior only

- Gypsum wallboard (walls only, primed and in approved application areas only)
- Properly prepared radiant-heated substrates



NA 1740

Waterproof Coating

- Properly prepared unglazed ceramic tile and cement terrazzo floors, and gypsum underlayments

Note: Existing unglazed ceramic tile must be abraded, and existing cement terrazzo must be mechanically profiled. Both must be skimcoated with an appropriate NAA latex- or polymer-modified mortar.

- Plywood underlayments that are a Group 1 exterior-grade plywood CC plugged or better, conforming to APA classification and U.S. Product Standard PS 1-95 or "SELECT" or (SEL-TF) CANPLY classified exterior-grade plywood conforming to CSA-0121 standard for Douglas fir for direct-bond applications (interior, residential and light commercial floors and countertops in dry conditions only)
- PVC, copper, brass and stainless-steel pipe penetrations (abraded)

Consult Technical Services for installation recommendations regarding substrates and conditions not listed.

LIMITATIONS

- *NA 1740 Waterproof Coating* is not for use over structural cracks, in-plane cracks beyond 1/8" (3 mm) or where vertical out-of-plane movement occurs.
- Do not use over substrates containing asbestos, dimensionally unstable substrates such as hardwood flooring, particleboard, oriented strand board (OSB), Masonite or metal.
- Do not use over plank flooring, treated plywood, Luan, gypsum-based floor-patching or leveling compounds, vinyl, glazed tile, laminate, fiberglass or epoxy floors, or storage tanks.
- Do not use where excessive substrate moisture and/or where negative hydrostatic pressure exists. Maximum allowable moisture is 5 lbs. per 1,000 sq. ft. (2.27 kg per 92.9 m²) per 24 hours per ASTM F1869 or up to 85% relative humidity as measured with moisture probes.
- Do not use as a single-application roof-deck membrane, wear surface or primary waterproofing membrane on balconies or decks directly over occupied space or in storage tanks, or with premixed setting materials.
- Do not allow direct contact with solvent-based materials.

MIXING

Before product use, take appropriate safety precautions. Consult the Safety Data Sheet for safe-handling instructions.

- Mix by hand before using.
- Do not dilute with any other material.
- Promptly wash tools with water after mixing.

APPLICATION

Fill all cracks, control joints and gaps with an appropriate filler material in corners and coves that are greater than 1/32" (1 mm). Force the material into the crack and finish smooth with a trowel. Let dry. *NA 1750 Waterproof Coating Fabric* may be used with *NA 1740 Waterproof Coating* in any of the areas discussed below.

Pre-treat cracks, corners and coves (floor/wall intersections)

1. Apply *NA 1740 Waterproof Coating* liquid 6" (15 cm) on both sides of cracks, corners and coves with a paintbrush or roller. Let dry to a red color.
2. Apply a second coat and let dry.

Pre-treat drains

1. Review the drain manufacturer's instructions for waterproof membrane installation in conjunction with these instructions.
2. Fill the space between the drain pipe and the substrate with the appropriate expansion joint materials (typically a foam backer rod and sealant).
3. For drains with a bolt-down collar and weep holes, loosen and remove bolts from the drain flange. Abrade the drain flange with sandpaper, and clean and dry thoroughly.
4. With a paintbrush, apply a heavy coat over and around the drain flange. Let dry to a red color.
5. Apply a second coat and let dry.

Pre-treat openings around pipes and other penetrations

1. Pack/fill the openings/spaces between the drain pipe and the substrate with the appropriate expansion joint materials (typically a foam backer rod and sealant).
2. Apply *NA 1740 Waterproof Coating* with a brush around and up onto floor or wall penetrations. Let dry to a red color.
3. Apply a second coat and let dry.

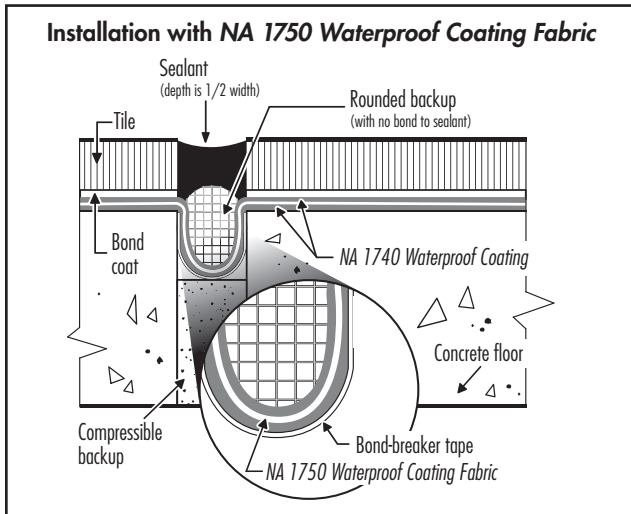
Complete the main area

1. Apply *NA 1740 Waterproof Coating* to the entire area to be waterproofed (including previously coated areas such as cracks, drains and penetrations) by using a 1/2" (12-mm) nap roller. Let dry to a red color.
2. Apply a second coat to the entire installation. Let dry 60 to 90 minutes before installing tile or stone.
3. The final dry thickness of the first and second coats combined in the main area should be at least 25 to 30 mils.
4. Inspect and, as needed, recoat pinholes or areas not completely covered. Let dry.
5. Apply bead of silicone or urethane sealant around the drain flange at the drain throat to join *NA 1740 Waterproof Coating* to the drain assembly. Leave no voids.
6. Bolt down the collar to the drain flange.
7. Where *NA 1740 Waterproof Coating* ends on any penetration, apply a bead of silicone or urethane sealant.

NA 1740

Waterproof Coating

EXPANSION AND CONTROL JOINTS



- Do not cover any substrate expansion or control joints with mortar or tile.
- Provide where specified per the most current TCNA Handbook for ceramic tile installation, Detail EJ171, or TTMAC, Detail 301MJ.
- If waterproofing integrity is required in expansion and control joints, provide per the "Installation with NA 1750 Waterproof Coating Fabric" drawing.
- NA 1750 Waterproof Coating Fabric can be embedded into NA 1740 Waterproof Coating liquid, allowed to dry and filled with appropriate joint sealant or an expansion molding system.
- Protect tile work with metal strips (edge metal) along both edges of structural building expansion joints.

Contact Technical Services for more information.

CLEANUP

- Remove excess NA 1740 Waterproof Coating (while fresh) with a damp sponge, soap and warm water. Any completely dried material may be mechanically removed.

PROTECTION

- Protect from foot traffic, rain and freezing for 24 hours.
- Protect installed NA 1740 Waterproof Coating from contamination, excessive heat and extended sun exposure.

Product Characteristics

at 73°F (23°C) and 50% relative humidity

Color	Pink when wet; red when dry
VOC content (SCAQMD Rule 1113)	< 100 g per L
Typical VOC content per SCAQMD Rule 1113 testing methods	15 g per L
Shelf life	2 years when stored in original, unopened container at 73°F (23°C)
Drying time between first and second coats	When red and dry to the touch (approximately 20 to 30 minutes)
Drying time after second coat (before applying ceramic tile or stone)	About 60 to 90 minutes (when red and dry to the touch)
Drying time before flood-testing	After 12 hours at 73°F (23°C) and 50% relative humidity
Final dry thickness (2 coats)	At least 25 to 30 mils
Freeze/thaw stability (liquid)	Up to 5 cycles at 32°F (0°C)
Storage	Store in cool, dry place. Protect from freezing.

Packaging

(NA 1740 Waterproof Coating)

Size	Approximate Coverage*
Pail: 1 U.S. gal. (3.79 L)	50 sq. ft. (4.65 m ²)
Pail: 3.5 U.S. gals. (13.2 L)	175 sq. ft. (16.3 m ²)

Packaging

(optional NA 1750 Waterproof Coating Fabric)

Size	Approximate Coverage*
Roll: 38" x 75' (97 cm x 22.9 m)	237.5 sq. ft. (22.1 m ²)

* Coverage shown is for estimating purposes only. Actual coverage depends on substrate profile and porosity, equipment used, thickness applied, temperature and humidity.



North American
ADHESIVES®

NA 1740

Waterproof Coating

Industry Standards and Approvals

ANSI: Exceeds A118.10-L standard (Liquid-Applied Waterproofing Membranes for Thin-Set Ceramic Tile) and A118.12 standard (Crack-Isolation Membranes for Thin-Set Ceramic Tile)

ASTM: C627 (Robinson) service rating for extra heavy

IAPMO: Listed for use as shower-pan liner

Additional Green Certifications

- Living Building Challenge (LBC) Red List Free: This product has been verified per the most current Red List on the LBC's Website.



North American
ADHESIVES®

MAPEI® Corporation
1144 East Newport Center Drive
Deerfield Beach, FL 33442

U.S. and Puerto Rico

Customer Service: 1-800-747-2722

Technical Services: 1-800-637-7753

Refer to the Safety Data Sheet for specific data related to health and safety as well as product handling. For the most current product data and warranty information, visit www.na-adhesives.com.

For information on sustainability and transparency, as well as product certification programs, contact Technical Services at 1-800-637-7753.

MKT: 24-3234

© 2024 MAPEI Corporation
All Rights Reserved.
Printed in the USA.

Edition Date: November 7, 2024

Canada

1-844-410-1212

LEGAL NOTICE

The contents of this Technical Data Sheet ("TDS") may be copied into another project-related document, but the resulting document shall not supplement or replace requirements per the TDS in effect at the time of the NAA product installation. For the most up-to-date TDS and warranty information, visit our Website at www.na-adhesives.com. **ANY ALTERATIONS TO THE WORDING OR REQUIREMENTS CONTAINED IN OR DERIVED FROM THIS TDS SHALL VOID ALL RELATED NAA WARRANTIES.**

Before using, the user must determine the suitability of our products for the intended use, and the user alone assumes all risks and liability. **ANY CLAIM SHALL BE DEEMED WAIVED UNLESS MADE IN WRITING TO US WITHIN FIFTEEN (15) DAYS FROM DATE IT WAS, OR REASONABLY SHOULD HAVE BEEN, DISCOVERED.**